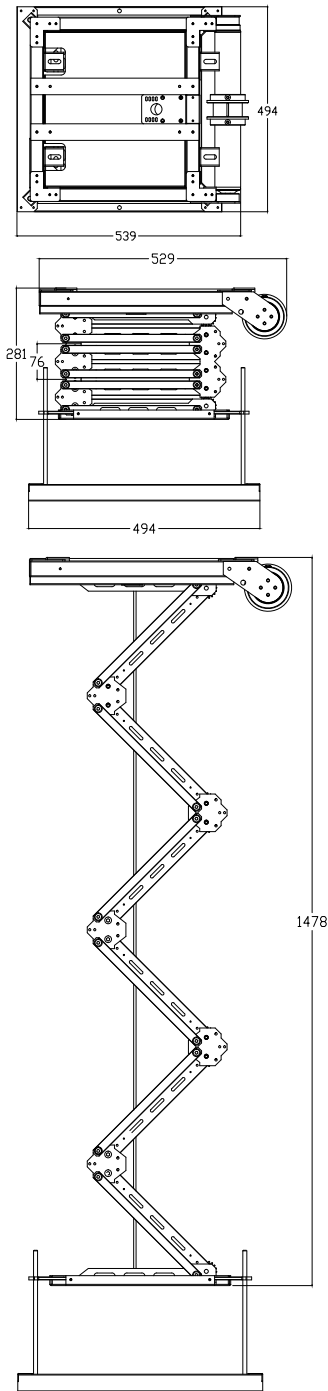


EPM1.5



Ultra thin design, thickness is only 260mm, one-armed structure made from aluminum alloy, which can avoid the front-to-back and side-to-side swing problem.

Arm sections: 6

Overall dimension: 453x528x281mm

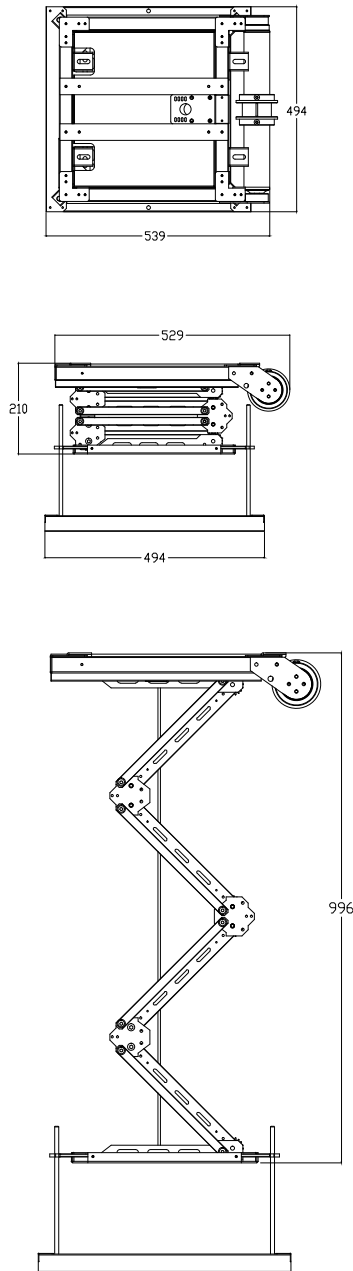
Ceiling opening: 500x500mm/550x550mm

Traveling distance: 290-1500mm

Distance from ceiling to false ceiling:

520-1500mm

EPM1.0



Ultra thin design, thickness is only 210mm, one-armed structure made from aluminum alloy, which can avoid the front-to-back and side-to-side swing problem.

Arm sections: 4

Overall dimension: 453x528x210mm

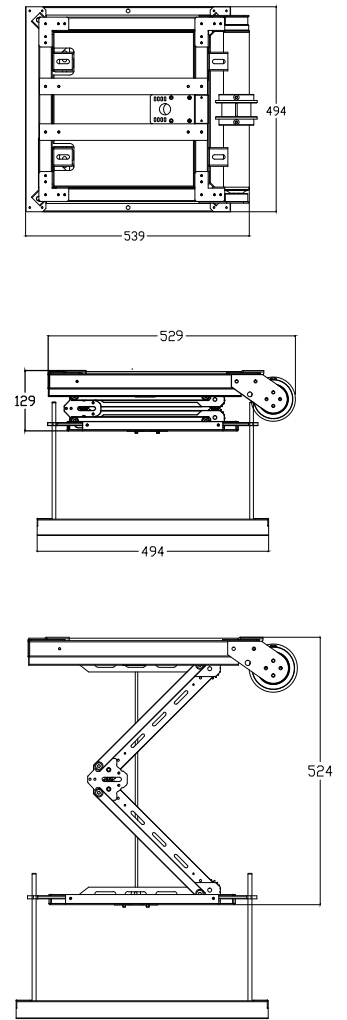
Ceiling opening: 500x500mm/550x550mm

Traveling distance: 210-990mm

Distance from ceiling to false ceiling:

450-1000mm

EPM.5



Ultra thin design, thickness is only 129mm, one-armed structure made from aluminum alloy, which can avoid the front-to-back and side-to-side swing problem.

Arm sections: 2

Overall dimension: 453x528x129mm

Ceiling opening: 500x500mm/550x550mm

Traveling distance: 130-520mm

Distance from ceiling to false ceiling:

350-550mm