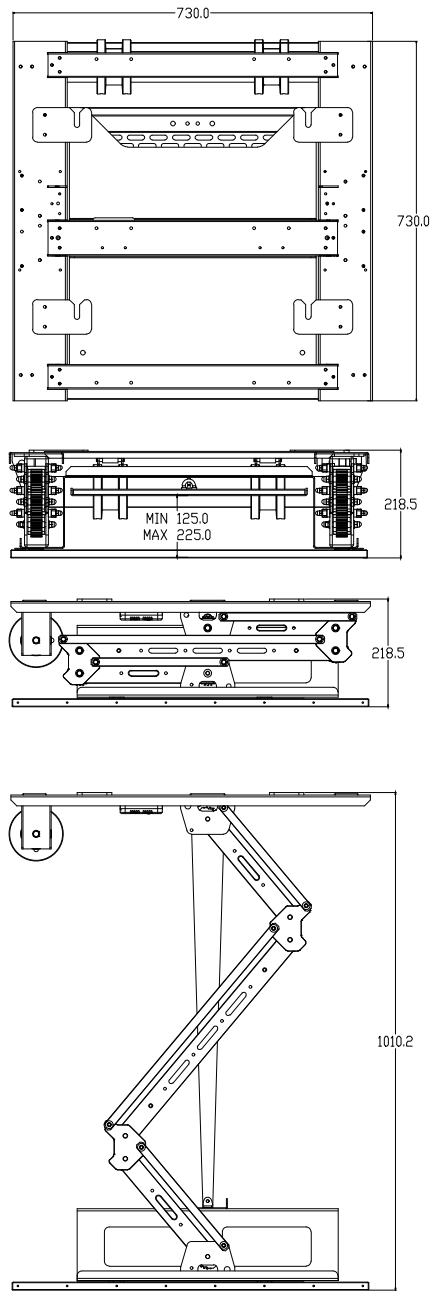
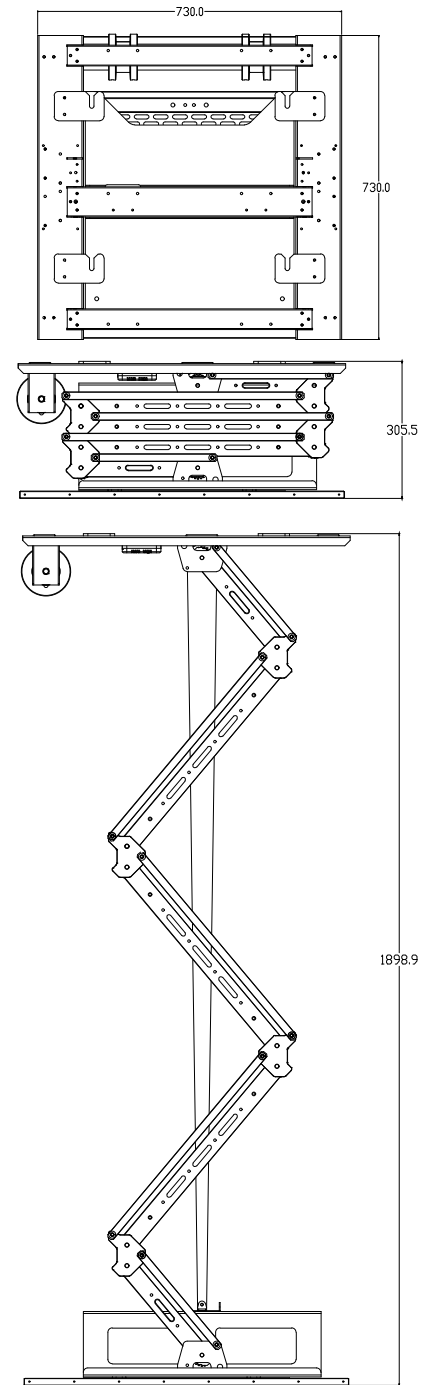


EPM1.0XL



ULTRA THIN DESIGN : The thinnest can be 223.50mm (8.8") if the thickness of the installed projector is less than 130mm, travel distance is up to 1020mm (40").
SOLID STRUCTURE : Based on the patent folding arm structure, provided a stable operation without
any front : to-back and side-to-side swing issue, accurate repositioning.
EASY INSTALLATION : Quick installation, simple construction, easy accessibility.
WIGHT CAPACITY : 40KG **TRAVEL** : 218.5-1010.2mm
CONTROL : RF/RS232/485 **OPTION** : IP control

EPM2.0XL



ULTRA THIN DESIGN : The thinnest can be 315.50mm (8.8") if the thickness of the installed projector is less than 130mm, travel distance is up to 1910mm (40").
SOLID STRUCTURE : Based on the patent folding arm structure, provided a stable operation without
any front : to-back and side-to-side swing issue, accurate repositioning.
EASY INSTALLATION : Quick installation, simple construction, easy accessibility.
WIGHT CAPACITY : 40KG **TRAVEL** : 305.5-1898.9mm
CONTROL : RF/RS232/485 **OPTION** : IP control